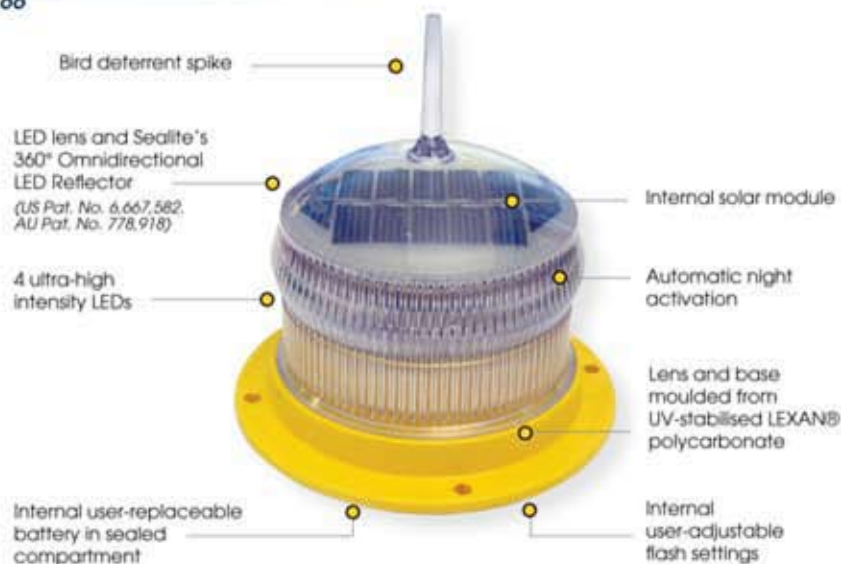


SL15

1-2nm+ Solar Marine Light

This equipment complies with requirements of the U.S. Coast Guard in 33 CFR part 66



The Sealite Advantage

- User-adjustable flash characters
- User-replaceable battery in sealed battery compartment
- NiMH battery for long service life & wide temperature range
- Completely sealed & self-contained using ultrasonic welding techniques
- Installs in minutes & operates maintenance-free for up to five years
- IP68 waterproof

The Sealite SL15 1-2nm+ compact LED light is exceptional value and incorporates some of the most advanced technology available. In the tradition of Sealite lanterns, the SL15 is designed to be maintenance-free and have a service life of over 5 years.

The SL15 can be installed in minutes, and requires no operator intervention. The flash characters are user-adjustable, and the unit is supplied ready for immediate installation.

During daylight hours the solar module will charge the battery, and the lantern will automatically begin operation at dusk – once the ambient light threshold drops sufficiently.

The SL15 features the Sealite LED 360° Omnidirectional Reflector, which increases the intensity and uniformity of the horizontal output. The tough polycarbonate lens is specifically designed for use with LEDs, and incorporates an environment-friendly spike – deterring unwelcome bird life.

The internally housed battery is user-replaceable after years of reliable service.

The unit is sealed using an advanced ultrasonic weld, enabling a rugged and completely waterproof seal capable of prolonged and deep immersion (IP68).

Optional ON/OFF Switch (SL15-SW)

The SL15 is also available with an optional ON/OFF switch for temporary installations such as worksites.



SL15 solar light on FAD, Australia



SL15 marina lights, Vigo, Spain (photos courtesy of Marina Sea Initiatives)



Head Office
Sealite Pty Ltd
AUSTRALIA

North West Marine (LLC) Dubai UAE
Tel: +971-4-2670330, Fax: +971-4-2670307
Email: info@nw-marine.com
Website: www.nw-marine.com



SL15

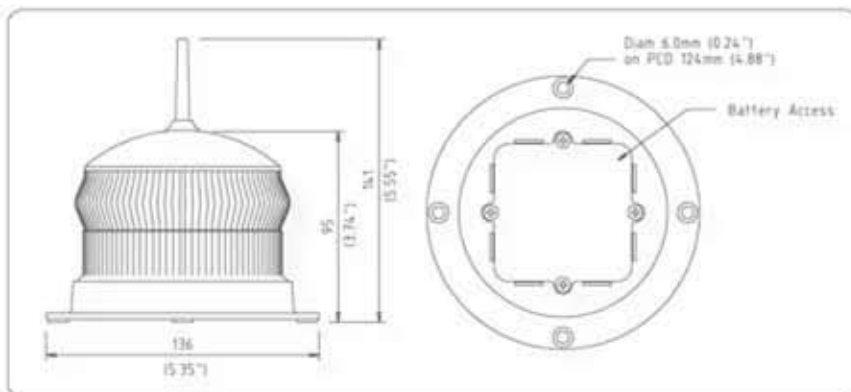
1-2nm+ Solar Marine Light



User replaceable battery



SL15 with optional ON/OFF switch (SL15-SW)



User-Adjustable IALA Flash Characteristics

FLASH SETTING CODE	Flash Sequence (on, off, on...)
0	STEADY LIGHT (intensity reduced)
1	0.5, 1.0
2	0.5, 3.5
3	1.0, 3.0
4	0.5, 5.5
5	0.3, 0.7
6	0.3, 0.7, 0.3, 0.7, 0.3, 0.7, 0.3, 15.7
7	0.3, 1.7
8	0.3, 2.2
9	0.5, 2.0
A	0.3, 2.7
B	0.5, 2.5
C	0.7, 2.3
D	0.5, 4.5
E	Custom Setting

Other flash patterns are available on request



Flash characteristic is selected via internal rotary switch located in the battery compartment

SPECIFICATIONS

Light Characteristics

Light Source
Available Colours
Maximum Available Intensity (cd)³
Visible Range (nm)
Horizontal Output (degrees)
Vertical Divergence (degrees)
Reflector Type

Available Flash Characteristics

Intensity Adjustments
LED Life Expectancy (hours)

Electrical Characteristics

Current Draw (mA)
Circuit Protection
Nominal Voltage (V)
Autonomy (days)
Temperature Range

Solar Characteristics

Solar Module Type
Output (watts)
Solar Module Efficiency (%)
Charging Regulation

Power Supply

Battery Type
Battery Capacity (Ah)
Nominal Voltage (V)
Battery Service Life

Physical Characteristics

Body Material
Lens Material
Lens Diameter (mm/inches)
Lens Design
Mounting
Height (mm/inches)
Width (mm/inches)
Mass (kg/lbs)
Product Life Expectancy

Certifications

CE
Quality Assurance
Waterproof

Intellectual Property

Patents
Trademarks

Warranty*

Options Available

4 ultra-high intensity LEDs
Red, Green, White, Yellow, Blue
Red - 6.2 Green - 7.6 White - 6.8 Yellow - 5.9
1-2+
360
9
Omnidirectional 360° LED Reflector (US Pat. No. 6,667,582, AU Pat. No. 778,918)
16 user-adjustable IALA flash characteristics (other flash patterns available on request)
Automatically adjusted to suit flash characteristic selected
>100,000

Refer to Sealite Power Calculator
Integrated
3.6
>50 (14 hour darkness, 12.5% duty cycle)
-40 to 80°C

Multicrystalline
0.45
14
Microprocessor controlled

High grade NiMH - Environment friendly
1.6
3.6
Average 5 years

LEXAN® Polycarbonate - UV-stabilised
LEXAN® Polycarbonate - UV-stabilised
107 / 4 1/8
External optics with interior flute design
4 x 6mm mounting holes
141 / 5 1/2
136 / 5 3/8
0.5 / 1 1/8
Up to 12 years

EN61000-6-3:1997, EN61000-6-1:1997
ISO9001:2000
IP68

US Pat. No. 6,667,582, AU Pat. No. 778,918
SEALITE® is a registered trademark of Sealite Pty Ltd

Full 3 years

- ON/OFF switch (SL15-SW)
- Custom flash patterns
- 50mm pole mount adaptor plate (MC/01)

³ Specifications subject to change or variation without notice

* Subject to standard terms and conditions

³ Intensity setting subject to solar availability

CE



Head Office
Sealite Pty Ltd
AUSTRALIA

North West Marine (LLC) Dubai UAE
Tel: +971-4-2670330, Fax: +971-4-2670307
Email: info@nw-marine.com
Website www.nw-marine.com

